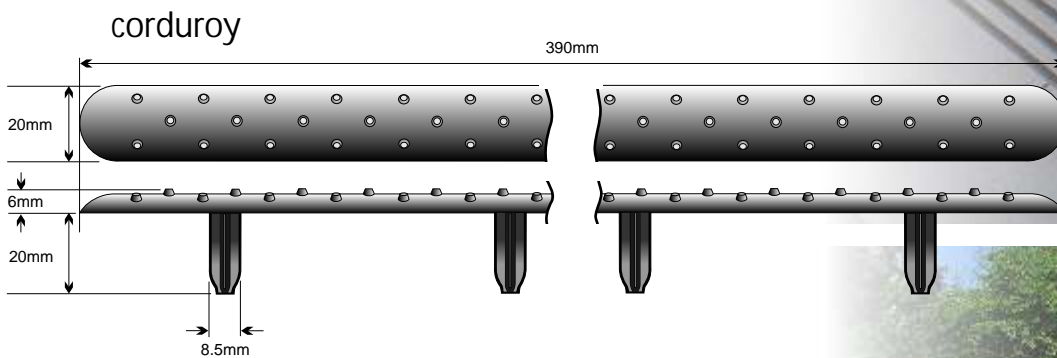


indicator corduroys and studs
for interior & exterior applications



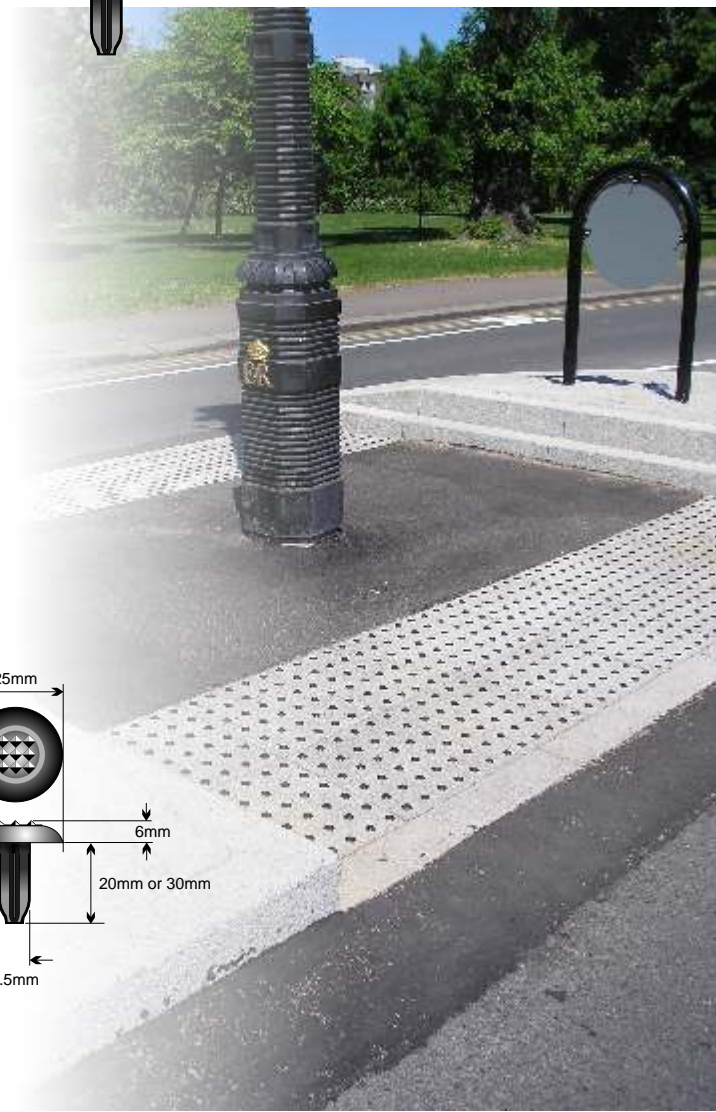
Quantick indicator corduroys and studs are made from durable polyurethane and are available in a choice of colours to ensure optimum contrast with the substrate material.

The corduroys are 390mm long and 20mm wide with radiused ends and the studs are 25mm in diameter. Both products have integral slip resistant features and both serve to provide a raised tactile of 6mm above the ground level when installed.



Installation is by the drilling of locating holes (from templates) and by securing the anchor peg with adhesive.

For more details contact our sales office or visit our website.



Our extensive catalogue includes many other slip resistant products plus a wide range of access systems. For further information please visit our website or contact our sales office at the address below.

stud

